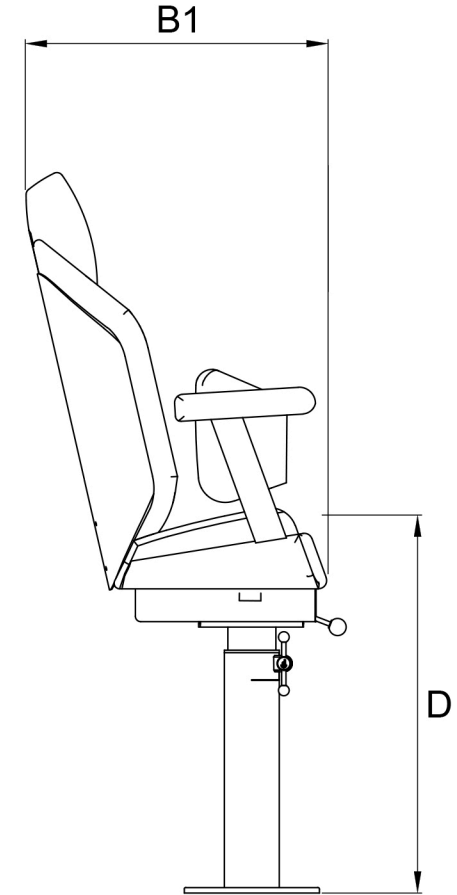
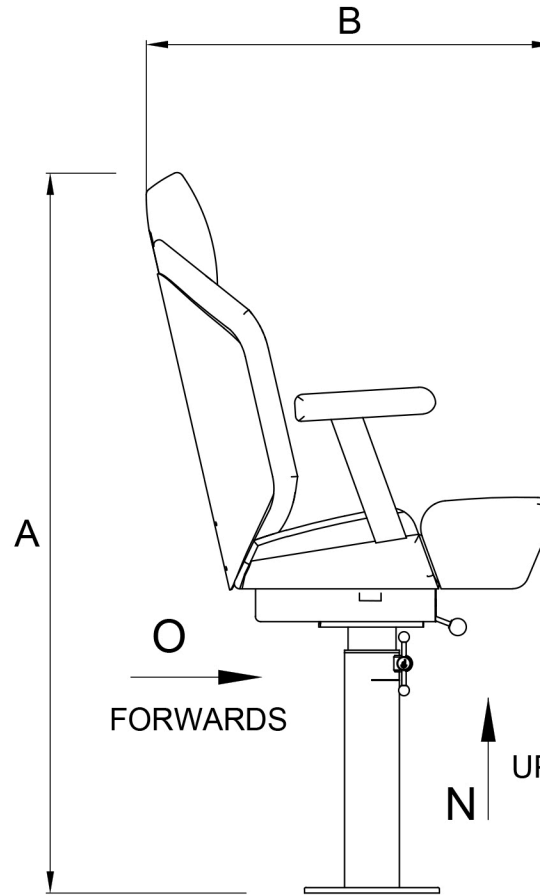
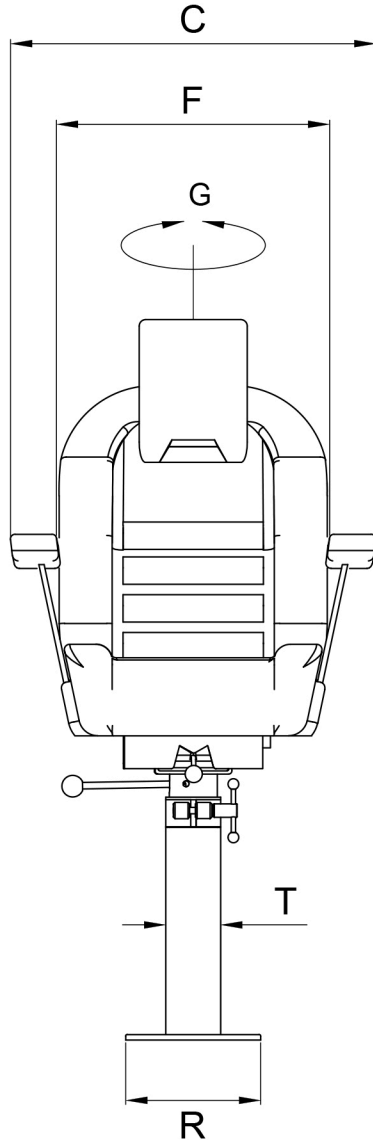


A (mm)	≈ 1350
B (mm)	760
B1 (mm)	570
C (mm)	670
D (mm)	700
F (mm)	510
G (°)	360
N (mm)	190
O (mm)	120
R (mm)	∅ 250
T (mm)	∅ 102
Weight (Kg)	45



The padding could vary the sizes of few centimeters



Product

P 260 LADYBIRD

Helm Seat